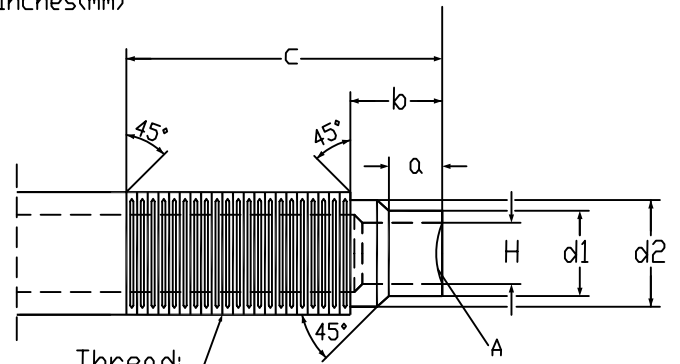


Dimensional Drawing Inches(mm)

3/4"-16 Mounting Thread

a	b	c
0.300(7.62) 0.312(7.93)	0.545(13.84)	2.70(68.58)

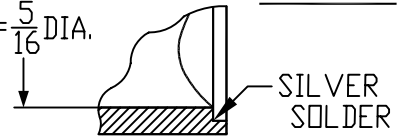
H	d1	d2	d3
5/16"(7.95)	∅0.500(12.70) ∅0.495(12.57)	∅0.665(16.89) ∅0.655(16.64)	∅0.66(16.76)



Thread:
3/4"-16UNF-2A

H = 5/16" DIA.

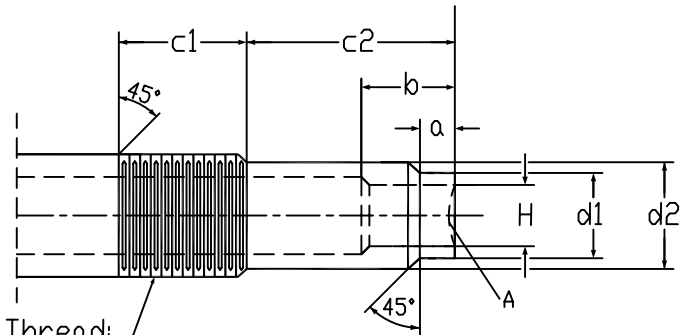
DETAIL A



3/4"-16 Short Mounting Thread

a	b	c1	c2
0.300(7.62) 0.312(7.93)	0.545(13.84)	1.10(27.94)	1.60(40.64)

H	d1	d2	d3
5/16"(7.95)	∅0.50(12.70) ∅0.495(12.57)	∅0.665(16.89) ∅0.655(16.64)	∅0.66(16.76)



Thread:
3/4"-16UNF-2A

DATE: January/2006 V1.0