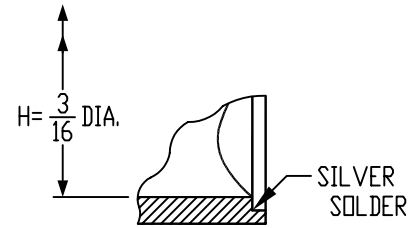
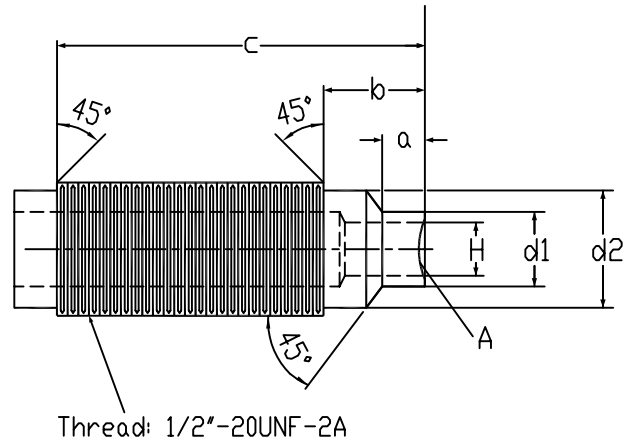


1/2"-20 Mounting Thread  
Dimensional Drawing Inches(mm)

a	b	c
0.250(6.35)	0.50(12.7)	1.63(41.40)
0.234(5.94)		

H	d1	d2
3/16" (4.76)	∅0.310(7.87)	∅0.420(10.67)
	∅0.305(7.75)	∅0.410(10.41)



DETAIL A

DATE: January/2006 V1.0