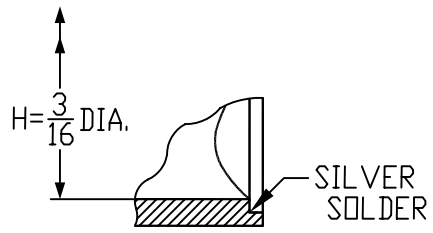
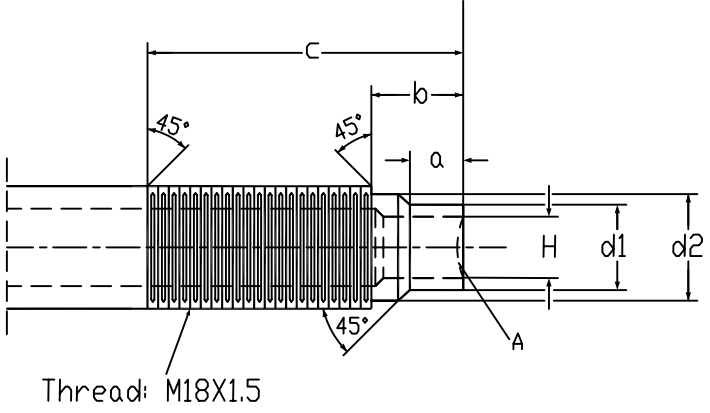


M18 x 1.5 Mounting Thread
Dimensional Drawing Inches(mm)

a	b	c
0.250(6.35)	0.50(12.7)	1.63(41.40)
0.234(5.94)		

H	d1	d2
3/16"(4.78)	∅0.397(10.08)	∅0.632(16.05)
	∅0.392(9.96)	∅0.627(15.93)



DETAIL A

DATE: January/2006 V1.0