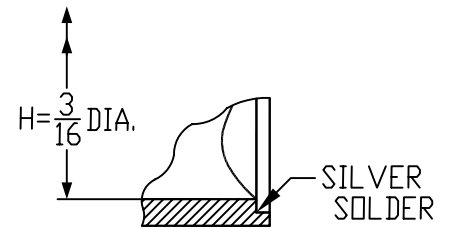
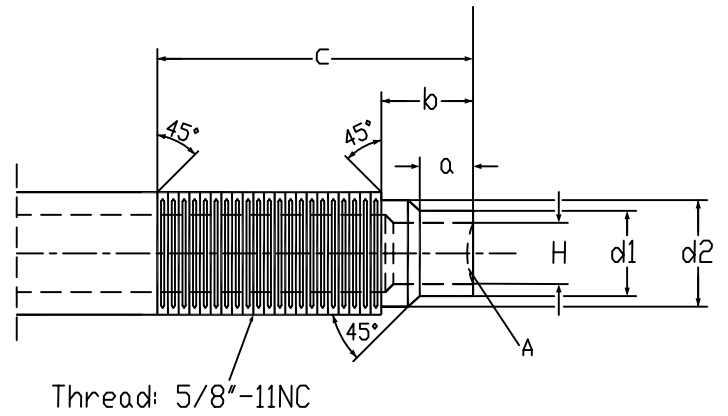


5/8"-11 Mounting Thread
Dimensional Drawing Inches(mm)

a	b	c
0.238(6.05)	0.554(14.07)	2.75(69.85)

H	d1	d2
3/16"(4.78)	0.354(8.99)	0.488(12.40)



DETAIL A

DATE: January/2006 V1.0