

## COM-G

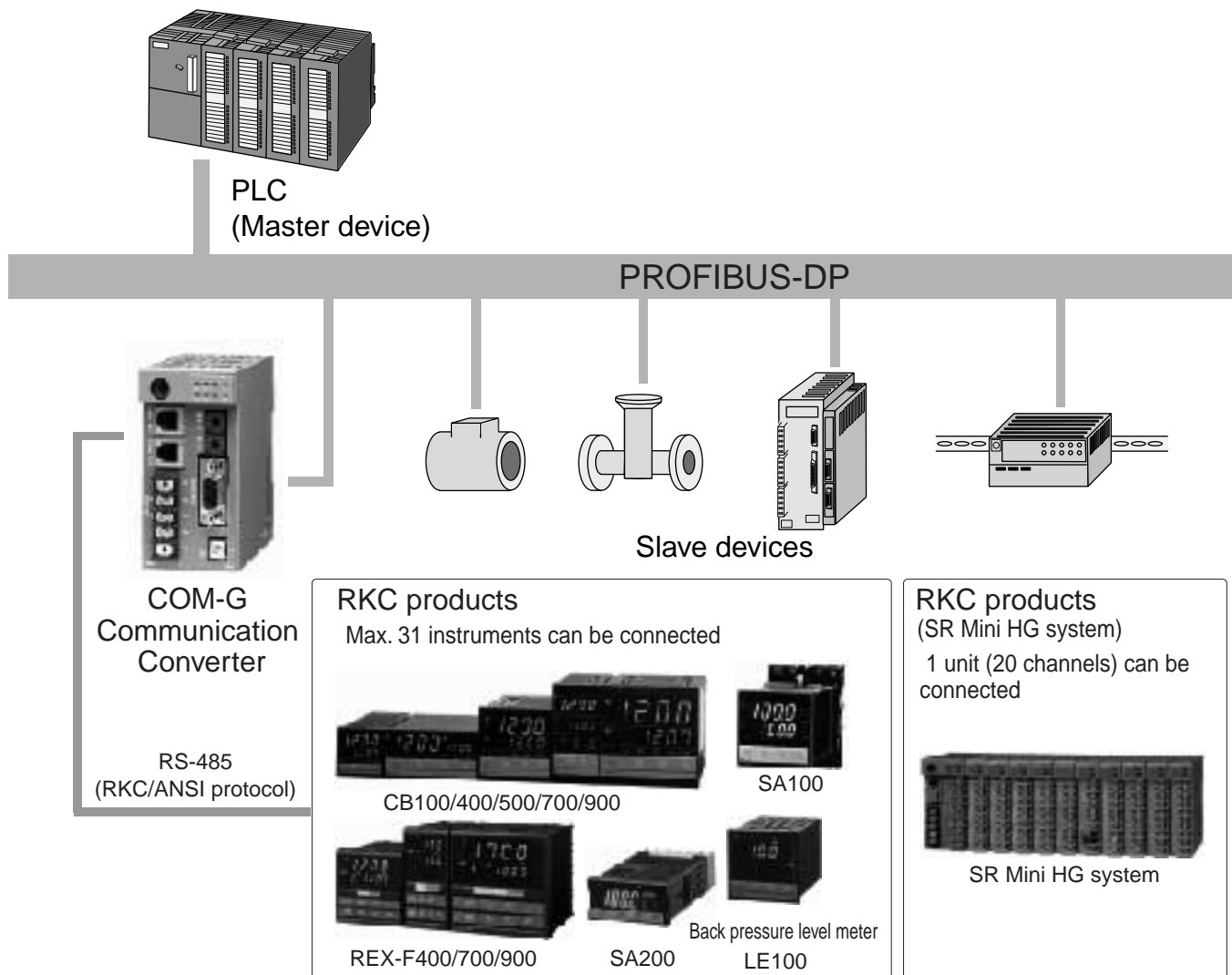


### General Description

COM-G is a DIN rail mounted Profibus gateway for RKC products. Up to 31 controllers can be connected to Profibus network via COM-G. They may be different controller models, such as 10 units of CB900, 5 units of SA200, and 1 unit of LE100.

\* For SR Mini HG/SR Mini, one COM-G can have one SR Mini HG/SR Mini unit

### System Configuration



# PROFIBUS Communication Converter COM-G

## Specifications

### Profibus Communication

#### Communication method

Physical phase RS-485

User phase : EN50170 (PROFIBUS-DP)

Transmission speed : Max. 12Mbps

- Transmission speed is automatically adjusted by the master side according to the line quality or can quality or can be specified by sequence program of the PLC.

### RKC Controller Communication

#### Communication method

RS-422A

- To connect controllers via RS-485 with COM-H, T(A) and R(A) on RS-422 should be connected to T/R(A) on RS-485, and T(B) and R(B) on RS-422A to T/R (B) on RS-485.

#### Connection

RS-422A : 4-wire multi-drop connection

#### Protocol

ANSI X3.28 subcategory 2.5B1

#### Synchronization

Start/Stop method

#### Communication speed

9600, 19200 bps

#### Bit format

Start-bit : 1

Data bit : 8

Parity bit : Without

Stop bit : 1

Parity bit : 1

#### Communication code

ASCII/JIS 7-bit code

### General Specifications

#### Supply Voltage

- 90 to 132V AC (Including supply voltage variation)  
[Rating : 100 to 120V AC] (50/60Hz common)
- 180 to 264V AC (Including supply voltage variation)  
[Rating : 120 to 240V AC] (50/60Hz common)
- 21.6 to 26.4V DC (Including supply voltage variation)  
[Rating : 24V DC]

#### Power Consumption

- AC type : 100 to 120V AC : max. 5VA  
200 to 240V AC : max. 9VA
- DC type : max. 3W, 15mA

#### Operating Environments

0 to 50°C [32 to 122°F], 20 to 85% RH

#### Insulation resistance

More than 20MΩ (500V DC) between power and ground terminals

#### Dielectric strength

2300V AC for one minute between power and terminals

#### Self-diagnosis

Check items: power supply monitor  
Lamp action : FAIL lights

#### Net Weight

Approx. 300g

#### External Dimensions (W x H x D)

47.5 x 96 x 100 mm

### Compliance with Standards

- CE Mark
- UL Recognized
- CSA Certified



### Model and Suffix Code

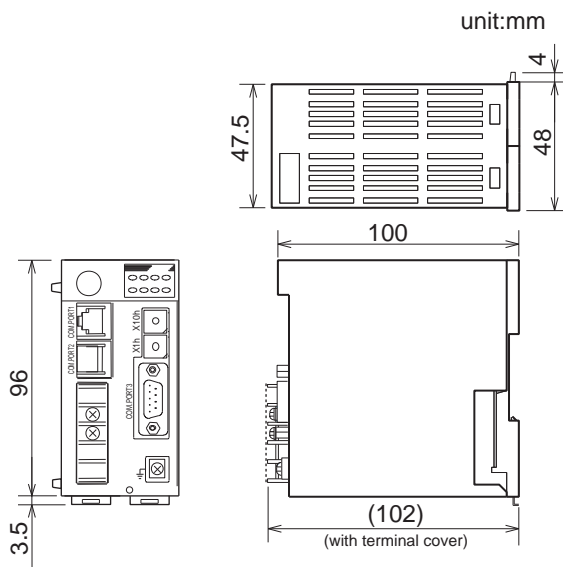
| Specifications       | Model and Suffix Code               |      |
|----------------------|-------------------------------------|------|
| Model                | COM-G                               | -□-□ |
| Supply voltage       | 100 to 120V DC                      | 1    |
|                      | 200 to 240V DC                      | 2    |
|                      | 24V DC                              | 3    |
| Available controller | CB100/400/500/700/900, F400/700/900 | 01   |
|                      | SA100,SA200,LE100                   |      |
|                      | SR Mini HG/SR Mini                  | 10   |

### Accessory

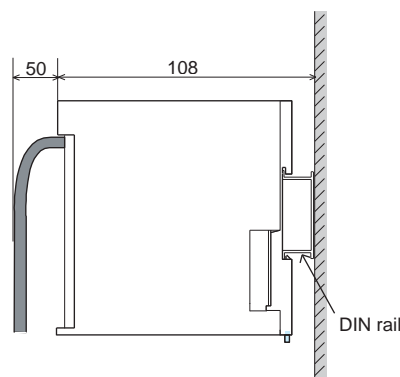
#### Cable

| Specifications   | Model Code   |
|--|--------------|
| Between COM-G and CB100/400/500/700/900, F400/700/900,SA100,SA200,LE100 (3 meters) | W-BF-01-3000 |
| Between COM-G and SR Mini HG/SR Mini (3 meters)                                    | W-BF-02-3000 |

## External Dimensions



- Depth when mounted on DIN-rail



- Dimensions when mounted on a panel

