

TRANSDUCER/TRANSMITTER & TEMPERATURE PROBE

Models 135, 235, 335



FEATURES:

- Pressure and temperature measurement from a single mounting well
- Rugged, all-welded, all stainless steel construction.
- Interchangeable with existing systems
- Adjustable calibration signal option
- Replaceable thermocouple during use (Type J std.)
- Internal Calibration Resistor set to $80\% \pm 0.5\%$ FSO
- Zero and Span controls, approximately $\pm 20\%$ FSO (235, 335 only)

PRESSURE RANGES:

- From 0-500 through 0-30,000 psi
(See ordering guide)

ACCURACY:

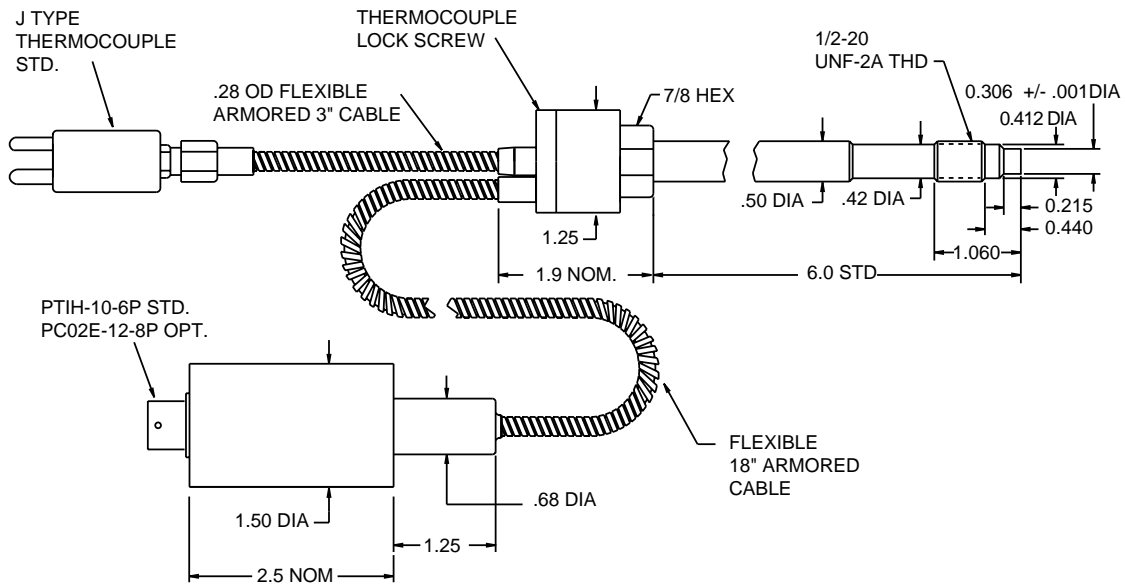
(Non-Linearity, Hysteresis, Non-repeatability).

- $\pm 0.25\%$ FSO, RSS (0-5000 psi & higher)
- $\pm 0.5\%$ FSO, RSS (0-500 and 0-3500 psi).

MODEL	OUTPUT @ 70° F	EXCITATION
135	3.33 mV/V $\pm 2\%$	3.5-15 Vdc
235	5.0 Vdc $\pm 2\%$	9-40 Vdc
335	4-20 mA $\pm 2\%$	9-36 Vdc

OUTLINE

Some options will affect dimensions.
Consult factory if important.



WIRING CODE

PTIH-10-6P	135	235	335
A/1	+ Signal	+ Signal	+ Excit./Signal
B/2	- Signal	- Signal*	- Excit./Signal
C/3	+ Excit.	+ Excit.	NC
D/4	- Excit.	- Excit.*	NC
E/5	Calibrate	Calibrate	Calibrate
F/6	Calibrate	Calibrate	Calibrate

PC02E-12-8P	135	235	335
A/1	+ Excit.	+ Excit.	+ Excit./Signal
B/2	+ Signal	+ Signal	NC
C/3	- Excit.	- Excit.*	NC
D/4	- Signal	- Signal*	- Excit./Signal
E/5	Cal. (Common)	Cal. (Common)	Calibrate
F/6	Cal. (Int. Res)	Cal. (Int. Res.)	Calibrate
G/7	NC	NC	NC
H/8	Cal. (Ext. Res.)	Cal. (Ext. Res.)	NC

Pigtail	335
Red	+ Excit./Signal
Black	- Excit./Signal
Shield	NC

* - Signal and - Excitation are common to each other.

SPECIFICATIONS

Unless otherwise stated, these specifications are the standards to which the units are normally constructed. Alterations may be easily and readily accomplished by the standard modification code or by discussion with the factory. We invite your inquiry.

Material in Contact with Pressure Media	15-5 PH stainless steel and chrome plated diaphragm surface
Proof Pressure	2 times full scale pressure range or 35,000 psig whichever is less
Temperature Limits Diaphragm Strain Gauge Housing	750°F (400°C), 1000°F available with NaK fill 176°F (80°C)
Temperature Effects From Fill Zero	8 psi 100°F per inch of stem and capillary
From Strain Gauge Housing Zero	Less than $\pm 1.0\%$ FSO/100°F ($\pm 2.0\%$ FSO/100°C)
Span	Less than $\pm 1.0\%$ FSO/100°F ($\pm 2.0\%$ FSO/100°C)
Electricals	
Input Impedance Model 135	350 ohm, nominal
Input Current Model 235	8 mA, nominal
Load Impedance Model 135	50,000 ohms minimum for less than 0.1% FSO attenuation
Model 335	1350 ohms maximum, at 36 Vdc and 750 ohms at 24 Vdc
Output Current Model 235	2.0 mA maximum for less than 0.1% FSO attenuation
Zero Balance Model 135	0.0 mV/V $\pm 5\%$ FSO @ 70°F
Model 235	0.0 Vdc $\pm 2\%$ FSO @ 70°F
Model 335	4.0 mA $\pm 2\%$ FSO @ 70°F
Range Calibration Signal	80% $\pm 0.5\%$ FSO standard
Signal Connector	PTIH-10-6P, standard Mate PTO6A-10-6S (SR), not included
Thermocouple Connector	Standard 2 pole, 7/16" pin spacing
Pressure Connection	1/2" - 20UNF - 2A thread for standard extruder pressure port
Mounting Torque	500 inch pounds, maximum

ORDERING GUIDE

Ordering: Specify model, and pressure range and indicate modifications or accessories required.

Use the following codes to identify desired item.

MODEL	RANGE	OPTIONS
•	—	• — ./. /. .

Example: 335-RZ-CC/GU

MODEL

135 3.33 mV/V
235 5 Vdc
335 4-20 mA

PRESSURE RANGE

	psi		bar
RH	500	UV	50
RK	750	UX	75
RM	1000	UY	100
RO	1500	VA	200
RT	3000	VC	350
RV	5000	VD	500
RX	7500	VE	700
RZ	10000	UA	1000
SB	15000	UH	1400
SD	20000	UC	2000
SF	30000		
SZ	Other		

GP:50 reserves the right to make product improvements and amendments to the product specification stated throughout this brochure without prior notification. Please contact the factory on all critical dimensions and specifications for verification.

OPTIONS

AA - None (standard connector PTIH-10-6P)

ALTERNATE CONNECTOR OR CABLE

CC Bendix PC02E-12-8P,
[Mate: PC06A-12-8S-(SR), not included]
CD Cannon WK6-32S,
[Mate: WK6-21C, not included]
CF 1/2" NPT(M) thread with 36" potted leads
CZ Alternate Connector/ Cable/ Other

ALTERNATE PRESSURE PORT

FB M18 X 1.5 Metric Thread
FG M14 X 1.5 Metric Thread
FZ Non-Standard Pressure Port

GENERAL

GB Alternate Electronic Output
Specify Zero and Span
output values
GP Hastelloy C-276 Diaphragm & Threads
GQ Boron-Hardened diaphragm
GU Type K Thermocouple
QJ NaK Fill for 750°F max. applications
GW NaK Fill with Inconel diaphragm and stem for 1000°F max.
applications
GV Silicone Oil Fill (Increases thermal shift) Consult factory
GX Mineral Oil Fill (Increases thermal shift) Consult factory
GZ Customer Special
JL Adjustable Shunt Calibration
JW Titanium Nitride-Coated Diaphragm & Threads
MO Gentran Wiring
MP Barber-Colman Wiring
JA Removable 100 ohm 3 wire RTD

RIGID STEM

GN 12.5" Rigid Stem

FLEX TUBING

GT 30" Armored Capillary Tube