

PRESSURE TRANSDUCER/TRANSMITTER with HART COMMUNICATION

Models 330-QO (Rigid Stem only)
331-QO (Rigid with Flex)
335-QO (with Temperature)



FEATURES:

- All-welded stainless steel construction
- HART communication, compatible with HART communicator
- 3:1 Ranging
- Interchangeable with existing systems
- State-of-the-art circuitry allows heavier diaphragm and increased fatigue life
- FM Explosion Proof Available (Class I, II, III, Division I, Groups A, B, C, D, E, F, G)

PRESSURE RANGES:

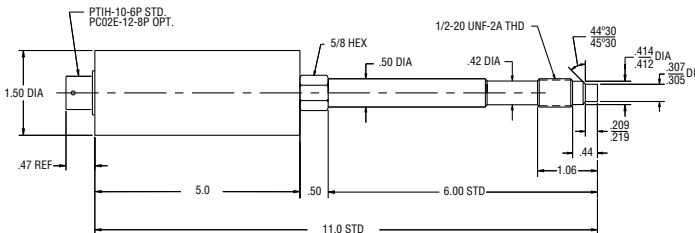
- From 0-500 to 0-30,000 psi

ACCURACY:

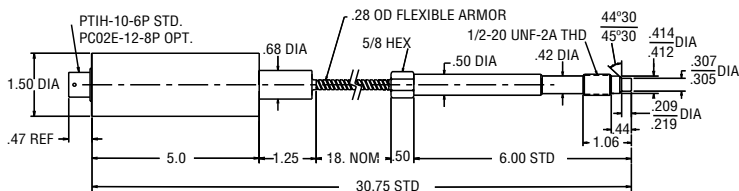
- ± 0.25% FSO

OUTPUT @ 70°F	EXCITATION
4-20 mA ± 2% FSO	9 - 36 Vdc

MODEL 330

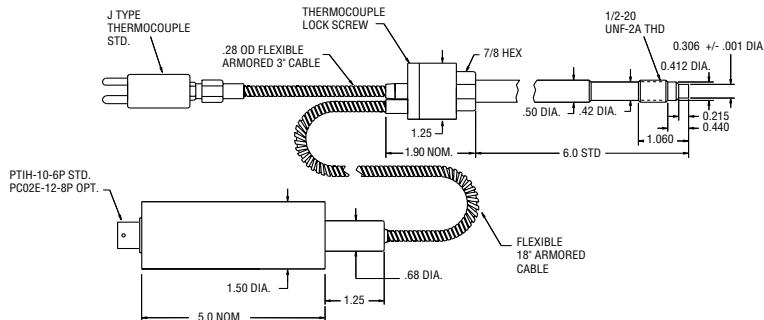


MODEL 331



Some options will affect dimensions. Consult factory if important.

MODEL 335



WIRING CODE

PTIH-10-6P	330, 331, 335
A/1	+ Excit./Signal
B/2	Common with D/4
C/3	NC
D/4	- Excit./Signal
E/5	NC Option ME
F/6	NC Option ME

SPECIFICATIONS

Unless otherwise stated, these specifications are the standards to which the units are normally constructed. Alterations may be easily and readily accomplished by the standard modification code or by discussion with the factory. We invite your inquiry.

Full Scale Output	4-20 mA \pm 2% FSO
Accuracy	
Static Error Band (Non-linearity, Hysteresis, Non-repeatability)	\pm 0.25% FSO (RSS)
Material in Contact with Pressure Media	15-5 PH stainless steel and hard chrome plated diaphragm surface (other options available, see ordering guide)
Proof Pressure	2 times full scale pressure range or 35,000 psi, whichever is less
Temperature Limits	
Diaphragm	750°F (400°C)
Strain Gauge Housing	176°F (80°C)
Temperature Effects from Diaphragm	
From Fill	
Zero	12 psi/100°F per inch of stem and capillary
From Strain Gauge Housing	
Zero	Less than \pm 1.0% FSO/100°F (\pm 2.0% FSO/100°C)
Span	Less than \pm 1.0% FSO/100°F (\pm 2.0% FSO/100°C)
Electricals	
Load Impedance	50,000 ohms minimum for less than 0.1%
FSO attenuation	1350 ohms maximum, at 36 Vdc
Zero Balance	4.0 mA \pm 5% FSO @ 70°F
Connections	
Pressure	1/2" - 20 UNF-2A
Electrical	PTIH-10-6P, standard
Enclosed Materials	316 stainless steel
Mounting Torque	500 inch pounds, maximum

ORDERING GUIDE

Use the following codes to identify desired item.

MODEL	RANGE	OPTIONS
•	—	• / • / •

Example: 330-QO-RV-CF/GP

MODEL

330-QO	4-20 mA HART
331-QO	4-20 mA HART
335-QO	4-20 mA HART
330X-QO	4-20 mA HART, Expl Prf
331X-QO	4-20 mA HART, Expl Prf
335X-QO	4-20 mA HART, Expl Prf

PRESSURE RANGE

psi		bar	
RH	500	UV	50
RJ	600	UX	75
RK	750	UY	100
RM	1000	UZ	150
RO	1500	VA	200
RR	2000	VB	300
RS	2500	VC	350
RT	3000	VD	500
RV	5000	VE	700
RX	7500	VF	750
RZ	10000	UA	1000
SB	15000	UH	1400
SD	20000	UB	1500
SF	30000	UC	2000
SZ	Other		

GP:50 reserves the right to make product improvements and amendments to the product specification stated throughout this brochure without prior notification. Please contact the factory on all critical dimensions and specifications for verification.

Ordering: Specify model, and pressure range and indicate modifications or accessories required.

OPTIONS

AA - None (standard connector PTIH-10-6P)

ALTERNATE CONNECTOR

CC Bendix PC02E-12-8P
CF 1/2" NPT(M) thread with 60" potted leads

ALTERNATE PRESSURE PORT

FB* M18 X 1.5 Metric
FG* M14 X 1.5 Metric
FZ* Non-Standard pressure port

GENERAL

GB Alternate Electronic Output - specify zero and span output values
GP Hastelloy C-276 Diaphragm and Thread
GQ Boron-Hardened diaphragm
GV Silicone Oil Fill. (Increases Thermal Shift) Consult factory
GX Mineral Oil Fill. (Increases Thermal Shift) Consult factory
JW Titanium Nitride-Coated Diaphragm & Threads
QJ* NaK Fill for 750° max applications
GW* NaK Fill with Inconel diaphragm and stem for 1000° max
QS Diamond Coating
GZ Customer Special

RIGID STEM

GN 12 1/2" Rigid Stem
GO 9" Rigid Stem
HD 3" Rigid Stem
HJ 1 3/16" Rigid Stem
HT 24" Rigid Stem
MU Non-standard Rigid Stem

FLEX TUBING

GT 30" Armored Capillary Tube (exposed capillary approx. 10")
HS 9" Armored Capillary Tube (exposed capillary approx. 19")
HV 24" Armored Capillary Tube (exposed capillary approx. 10")
HY 12" Armored Capillary Tube (exposed capillary approx. 16")
MT Non-standard Armored Capillary Tube (50" max)

* Not available on Models 330X, 331X, 335X

2770 Long Road, Grand Island, NY 14072 USA

Tel. (716) 773-9300 • Fax (716) 773-5019 • E-mail: sales@gp50.com • Website: www.gp50.com